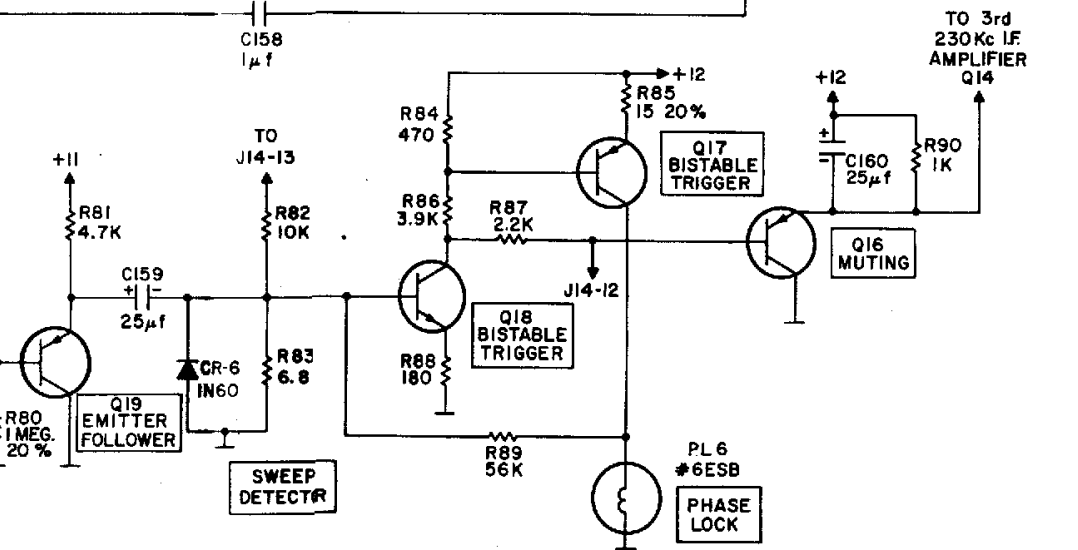
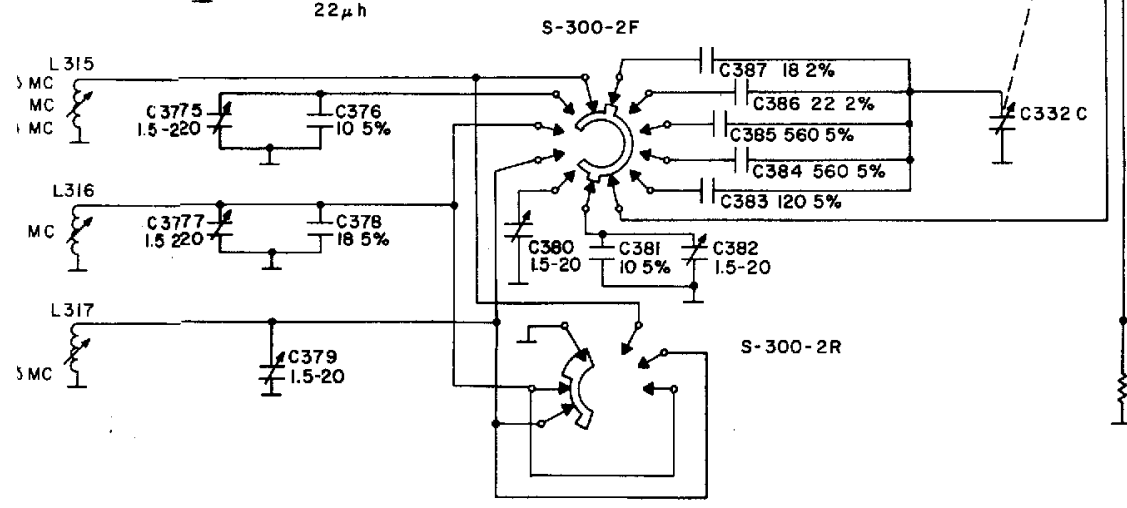
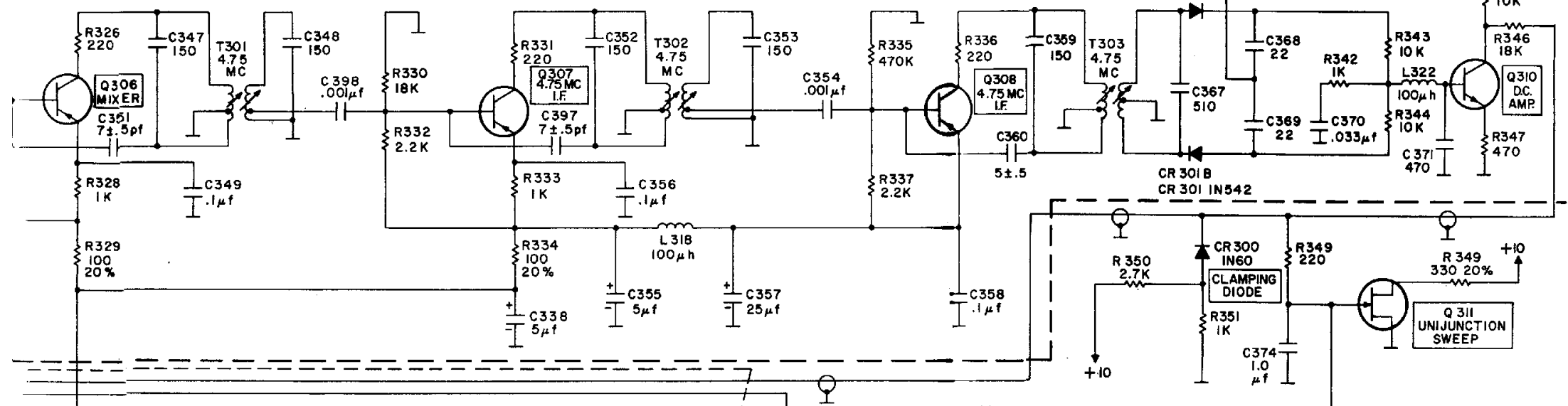
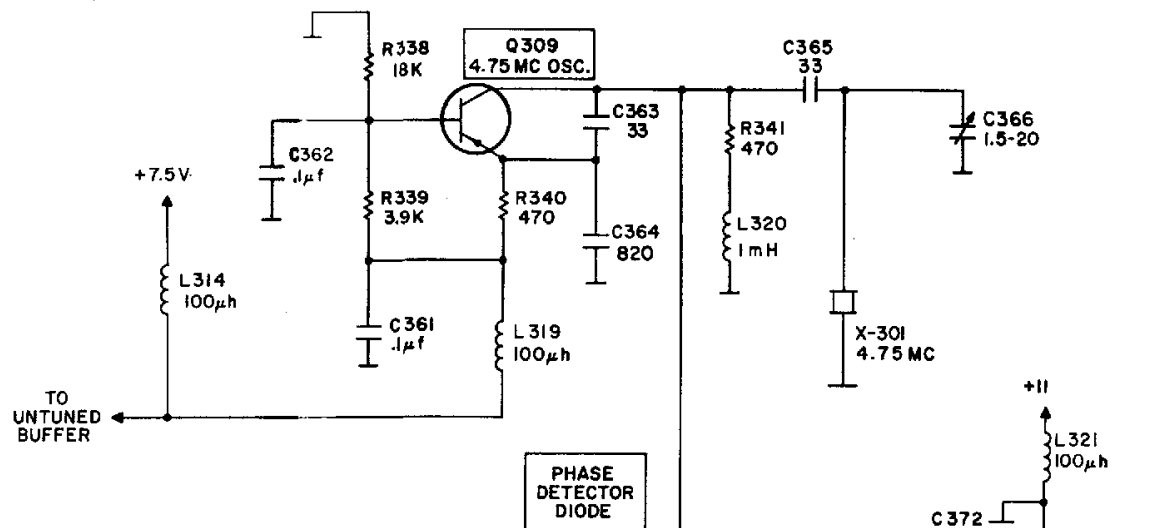
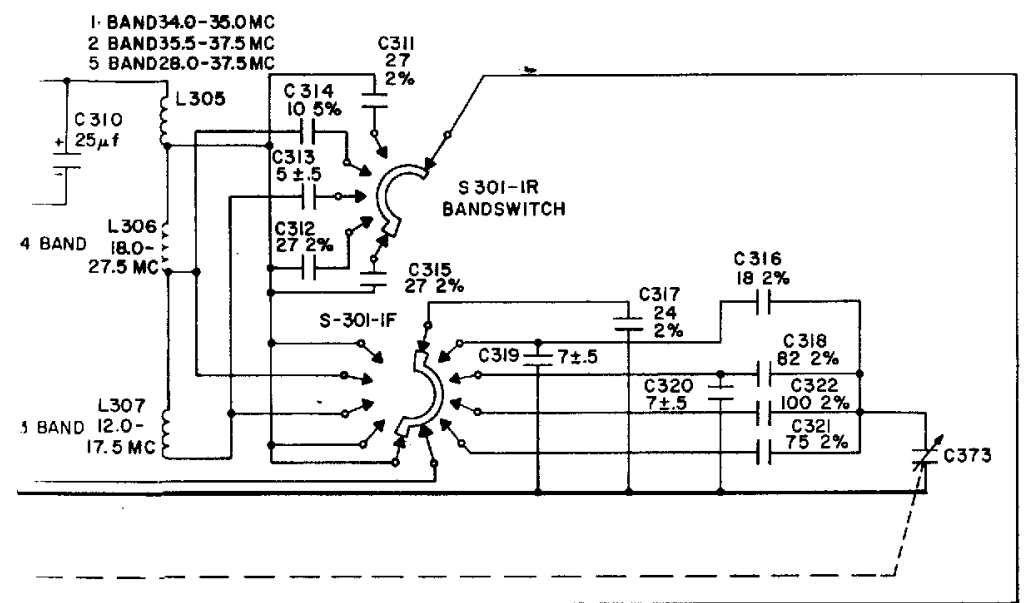
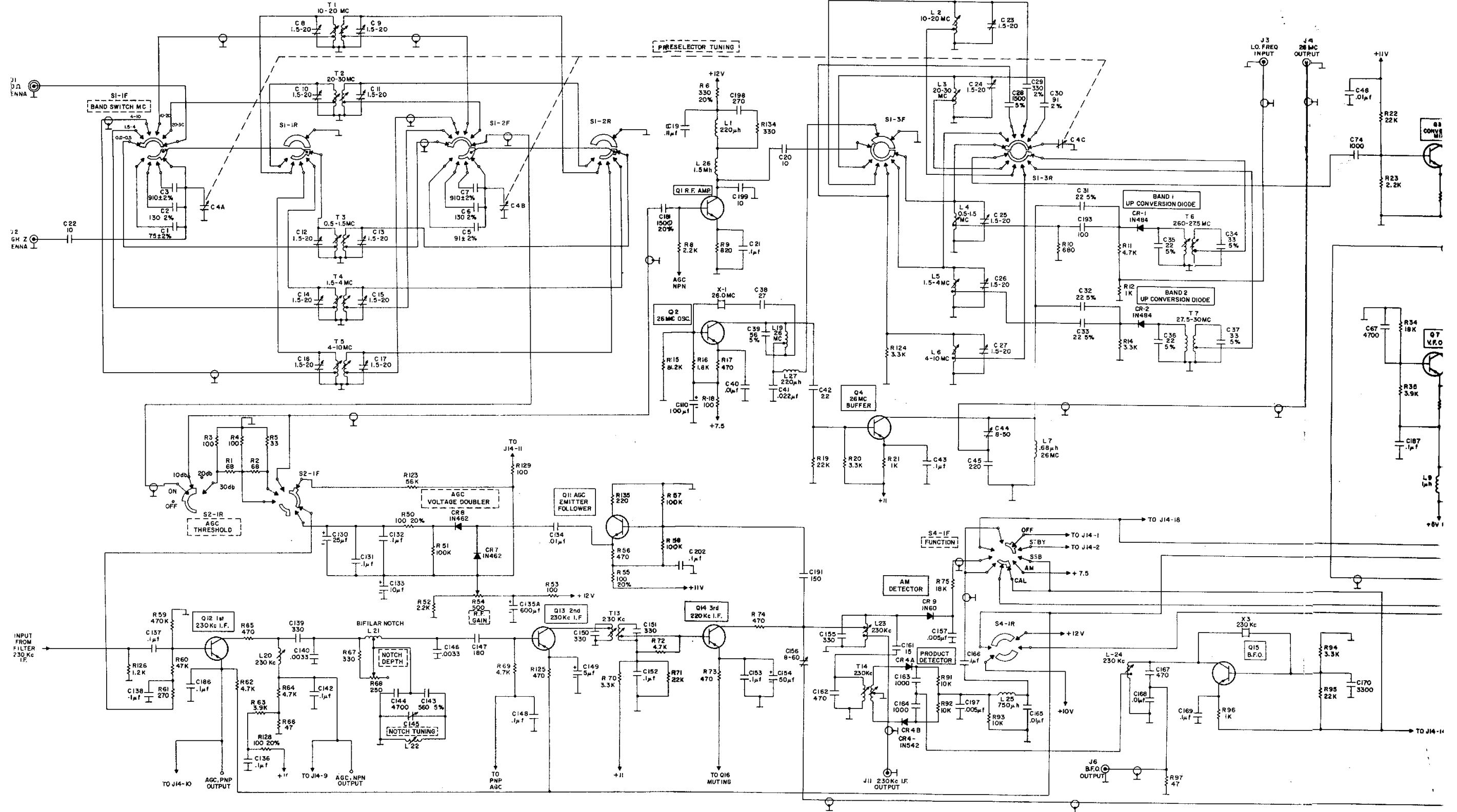
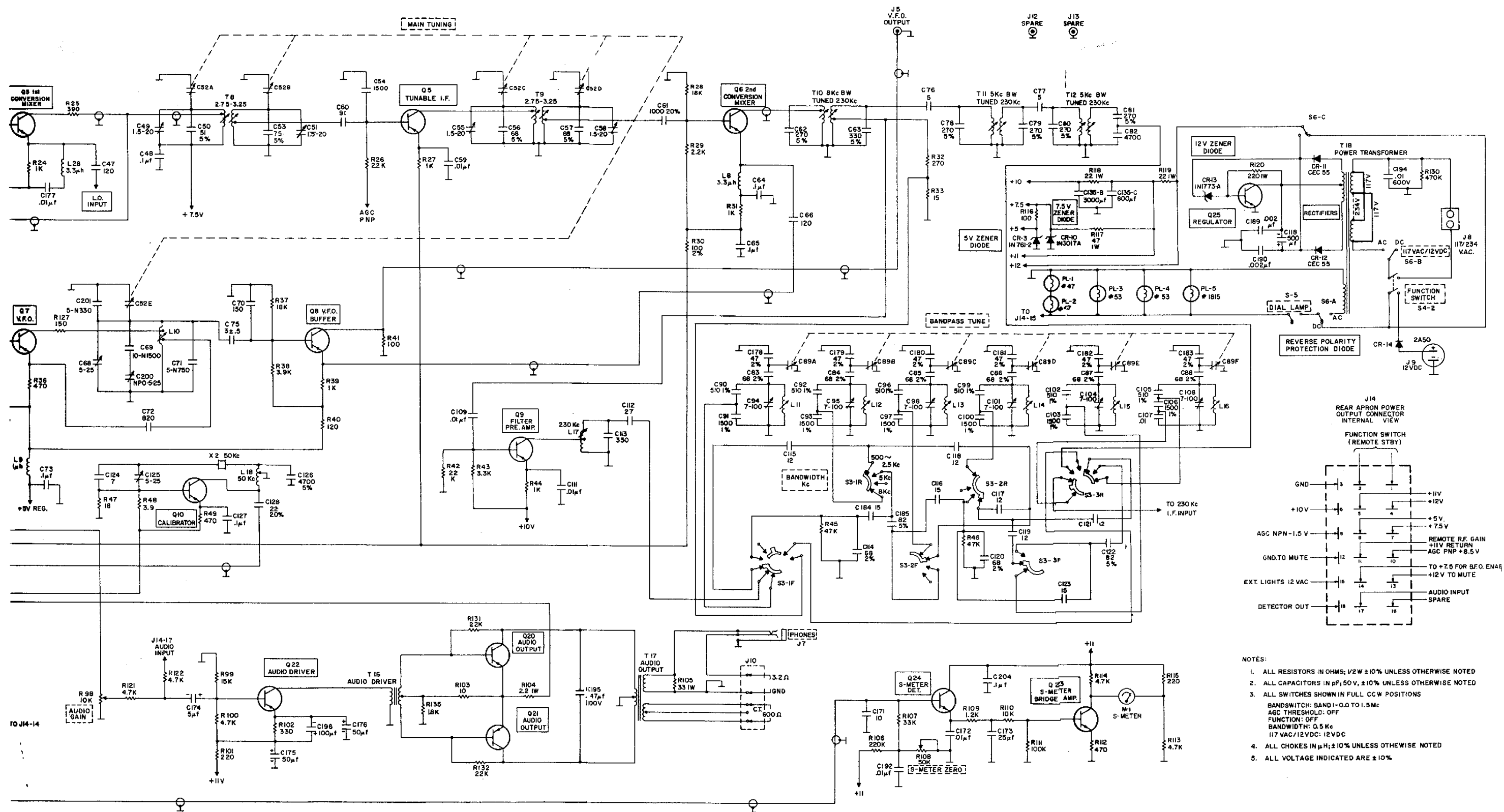


- NOTE:
1. ALL RESISTORS IN OHMS 1/2 W ± 10% UNLESS OTHERWISE NOTED
  2. ALL CAPACITORS IN  $\mu$ F, ± 10%, 50V UNLESS OTHERWISE NOTED
  3. BANDSWITCH SHOWN IN FULL CCW POSITION (BAND 1-0.0 TO 1.5 MC)
  4. ALL CHOKES IN  $\mu$ H ± 10% UNLESS OTHERWISE NOTED
  5. ALL PORTIONS BELOW DOTTED LINES ARE MOUNTED TO MAIN CHASSIS

+7.5V FROM 4.75 MC OSCILLATOR







- NOTES:
1. ALL RESISTORS IN OHMS; 1/2W ±10% UNLESS OTHERWISE NOTED
  2. ALL CAPACITORS IN μF; 50V, ±10% UNLESS OTHERWISE NOTED
  3. ALL SWITCHES SHOWN IN FULL CCW POSITIONS  
 BANDSWITCH: BAND 1-0.0 TO 1.5Mc  
 AGC THRESHOLD: OFF  
 FUNCTION: OFF  
 BANDWIDTH: 0.5 Kc  
 117 VAC/12VDC: 12VDC
  4. ALL CHOKES IN μH; ±10% UNLESS OTHERWISE NOTED
  5. ALL VOLTAGE INDICATED ARE ±10%

SCHMATIC DIAGRAM—RECEIVER  
FIGURE 50